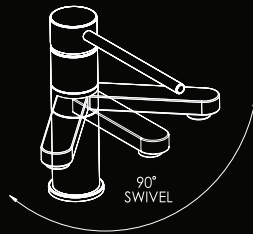
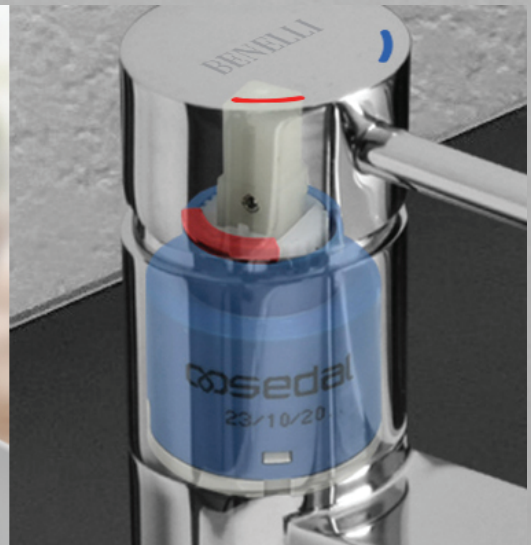


BENELLI FREEDOM CARE

BATHROOM

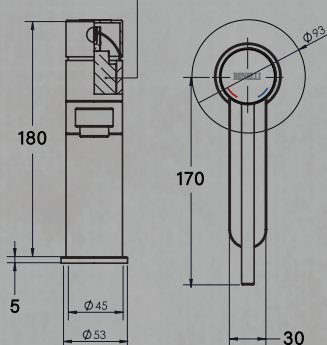
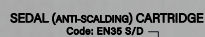
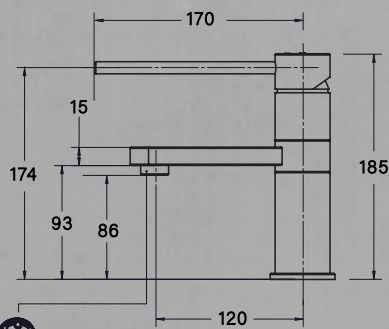


UNIVERSAL BASIN MIXER

Product Code: BEN-38115-AL

www.benelliglobal.com.au

NEW Benelli 'Freedom Care' Basin & Kitchen Mixer models have been designed and manufactured with input + assistance from people involved with SDA and affiliated specialists, and with all models crafted to comply with their standards as well as AS1428.1, you can use with confidence these products.



FEATURES

- Stylish Polished Chrome Finish
- Designed for ease of use
- 90° Swivel Spout + Lever
- 7 Years Limited Manufacturers Warranty
- 1 Year Limited Commercial Warranty
- Fully compatible with Standard Approved Care Basins
- Ideal for use with most Domestic Basins
- 4 Star-Wels 7.5 Litres Per Minute
- Sedal Anti-Scalding Cartridge (EN35 S/D)
- Neoperl Aerator* (40.2157.000)

COMPLIANCE

♿ Suitable for installation to comply to Australian Standard AS 1428.1 Design for Access and Mobility

www.standards.org.au

*It is generally considered that laminar flow outlets are used in lieu of aerated outlets for clinical hand washing, as laminar flow does not draw ambient room air into the water stream, avoiding any possible introduction of airborne bacteria.